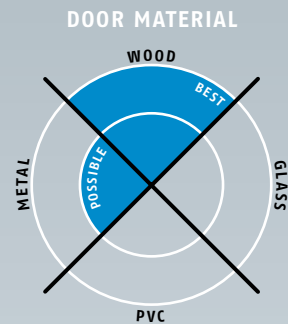


Planet MinE-F / S (F= rebated doors / S= soundproof)

→ 8 x 30 mm / 25 x 43 mm | ↓ 20 mm | ≤ 27 dB



Main features

- Especially for passive building and low energy houses
- Suitable for rebated doors
- Closed rooms with Ventilation systems / toilet / bathroom
- Air circulation / air equalization
- Seal height up to ↓ 20 mm
- Sound absorption on seam ≤ 27 dB at an air-gap of 7 mm
- Increased sound absorption at simultaneous air passage
- Air passage 200 m³/h
- Reading 30 m³/h at a pressure difference of 3,9 Pa (door width 1050 mm)
- High-grade silicone lip, simple lift height adjustment
- Compensation of 15 mm in case of sloping floor at door width of 1000 mm
- Automatic compensation at inclined floors
- No extra need to cut off silicone at both ends
- 7 years warranty

Versions / options

- Planet MinE-F / S ≤ 27 dB
- Planet MinE-F / S → FH ≤ 27 dB, fire-retardant
- Airlock doors
- Special versions on request

Door types with MinE-F / S



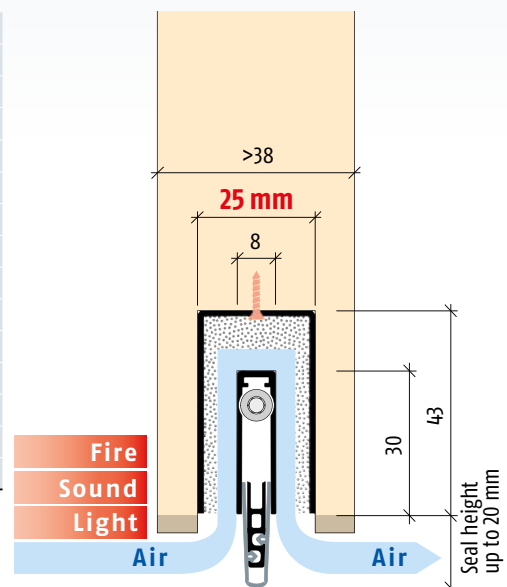
Double leaf doors → please use Planet MinE-S.

More functions



Technical specifications

Profile material	aluminum, → 8 x 30 mm
Channel material	aluminum, → 25 x 43 mm
Groove size	□ width 25,1 mm with depth 43,5 mm / □ width 8,1 mm with depth 30,5 mm
Seal profile	high-grade silicone or high-grade self-extinguishing silicone
Seal height	up to ↓ 20 mm
Sound absorption value	up to ≤ 27 dB at 7 mm space to the floor
Air passage	30 m ³ /h at an aeration length of 1050 mm and a pressure difference of 3,9 Pa
Lift height adjustment	on the release knob with an Allen key 3 mm
Lengths in stock	460, 585, 710, 835, 960, 1085, 1210, 1335, 1460 mm
Special lengths	on request up to 2000 mm, sliding doors up to 1600 mm
Release	unilaterally on hinge side
Can be shortened	up to the maximum of 125 mm
Fastening	on the side with stainless steel angle brackets and screws
Frame protector plate	stainless, hammer fixed, 20 x 20 mm
Test approvals	on request





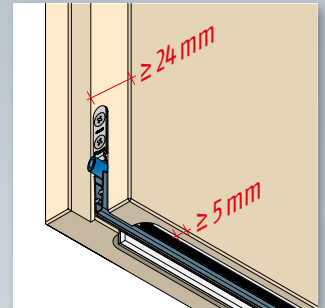
Planet MinE-F/S-drop-down seal



Planet MinE-F/S with fastening brackets, channel and insulation



Planet assembly set MinE-F



Planet MinE-F/S, installed in rebated door



Option: Planet MinE-F/S with bevel lip for uneven floors

Order specifications

Planet MinE-F/S ≤ 27 dB incl. assembly set MinE-F	Prod. code 40xxx-F*
Planet MinE-F/S \rightarrow FH ≤ 27 dB incl. assembly set MinE-F	Prod. code 41xxx-F*

* xxx = refer to price list for profile length

Accessories | Options

Planet MinE-F assembly set incl. 2 fastening brackets (stainless), 8 screws and frame protector plate, type 1 (stainless)	Prod. code 900828
Planet frame protector plate type 1 (stainless); possible type 2/3/4/5 \rightarrow refer to chapter Accessories Options	Prod. code 900014
Cut the Planet to fix dimension	Prod. code 900225
Sliding door	Prod. code 900908

Advertising text



Planet MinE-F/S ≤ 27 dB

Automatic door drop-down seal **Planet MinE-F/S** ≤ 27 dB for rebated sound absorption doors with an air passage, release on hinge side and automatic compensation at inclined floor, parallel drop-down, seal height up to $\downarrow 20$ mm, lip from high quality silicone, lateral fastening, profiles from aluminum $\rightarrow 8 \times 30$ mm / 25×43 mm, MinE-F channel and floor seal equipped with sound absorption materials.

Advertising text



Planet MinE-F/S \rightarrow FH (fire-retardant) ≤ 27 dB

Automatic door drop-down seal **Planet MinE-F/S** \rightarrow FH ≤ 27 dB for rebated fire-retardant sound absorption doors with an air passage, release on hinge side with automatic compensation at inclined floor, equipped with intumescent strips. Parallel drop-down, seal height up to $\downarrow 20$ mm, self-extinguishing silicone lip, lateral fastening, profiles from aluminum $\rightarrow 8 \times 30$ mm / 25×43 mm, MinE-F channel and floor seal equipped with sound absorption materials.